

à billes de l'autre main. Soulevez la chaîne à billes hors de la rainure de verrouillage des billes et faites glisser le dispositif de tension jusqu'au bas de la boucle de la chaîne.

Tirez le dispositif de tension vers le bas jusqu'à ce que la chaîne à billes soit complètement tendue (le piston sera en haut), puis déplacez le dispositif de tension vers le haut d'environ 1/8".

Marquez les emplacements des vis sur le mur ou le cadre de la fenêtre avec un crayon.

Montage intérieur: en cas de montage dans du bois, pré-percez les trous de vis, puis installez le dispositif de tension à l'aide des vis à tête Phillips de 1 pouce fournies.

Si vous ne le fixez pas dans le bois, utilisez des ancrages appropriés au substrat et suivez les instructions du fabricant des ancrages.

Montage extérieur: déplacez le dispositif de tension vers le bas de la chaîne comme indiqué ci-dessus. Appuyez ensuite le dispositif de tension sur les poteaux du support de montage. Installez soigneusement les vis à tête Phillips 3/8» fournies à travers le dispositif de tension dans le support de montage à l'aide d'un tournevis cruciforme (NE PAS TROP SERRER !). Tirez le dispositif de tension vers le bas comme indiqué ci-dessus et marquez au crayon la position du support de montage extérieur. Détachez maintenant le dispositif de tension du support, marquez au crayon les emplacements des vis du support et fixez-le à l'aide des vis de 1», puis rattachez le dispositif de tension au support.

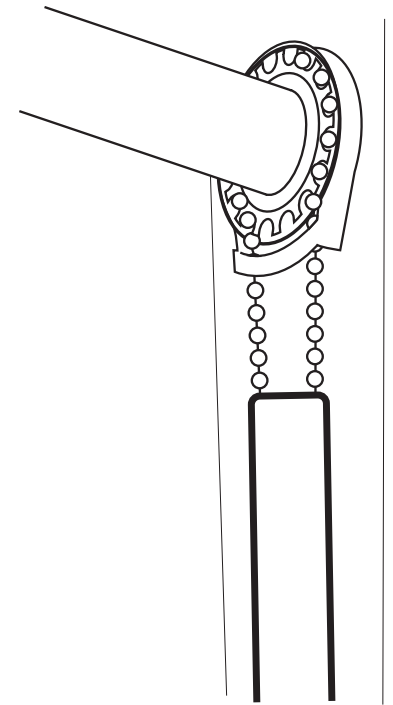
Fonctionnement du store

L'exposition limitée du cordon est une mesure de sécurité requise. Par conséquent, le cordon doit être tiré plusieurs fois pour soulever ou abaisser le store. Soyez patient, tirez le cordon lentement et doucement pour prolonger la durée de vie du store.

STRANGULATION HAZARD — Young children can be strangled by cords. Immediately remove this product if a cord longer than 22 cm or a loop exceeding 44 cm around becomes accessible.

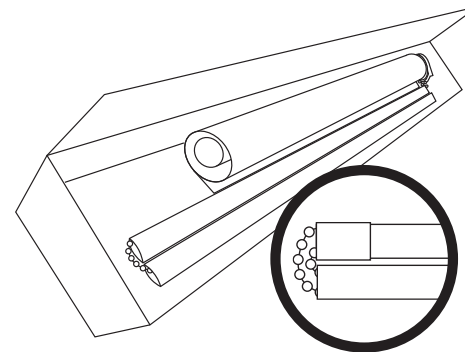
RISQUE D'ÉTRANGLEMENT — Les enfants en bas âge peuvent s'étrangler avec des cordes. Enlevez immédiatement ce produit si une corde mesurant plus de 22 cm devient accessible ou si le contour d'une boucle de plus de 44 cm devient accessible.

SUPPLEMENTARY INSTALLATION INSTRUCTIONS FOR CUSTOMERS IN CANADA



Installing Shades with a Chain Cover

Your new shade includes a dedicated lift cord/chain cover that allows for no more than 22cm (8") of lift cord to be exposed at any time. The cover is pre-attached to the beaded chain lift cord.



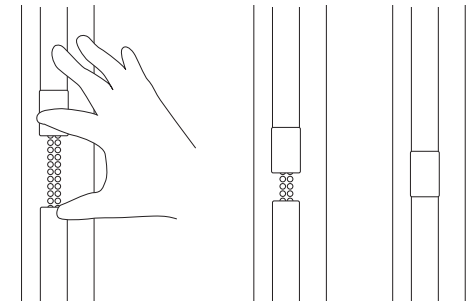
The cover for larger shades will be in two sections which are separated when the shade is packaged for shipment and thus must be joined together when the shade is

installed. See complete instructions below:

Step 1 – Carefully remove the protective bubble wrap from both ends of the shade. Do not remove the bubble wrap at the center of the shade until the shade is fully installed. Unwrap the Bead Chain and Tension Device being certain not to damage the chain. Cut and remove the zip-tie.

Step 2 – Attach the shade using the detailed instructions that came with the shade. Allow the chain, chain cover and tension device to hang freely when mounting the shade.

Step 3 – If the Chain Cover is in two sections, attach the sections as illustrated.



Slide the bottom section of the Chain Cover into the Connector that is pre-attached to the upper section

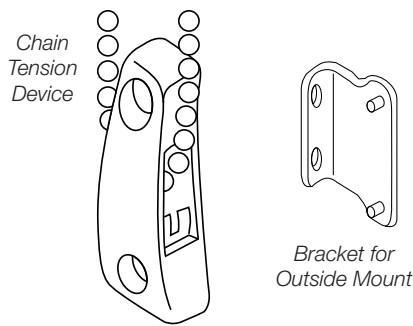
Step 4 – Attach the Tension Device

IMPORTANT – The Tension Device must be attached as detailed in these instructions for your shade to function properly.

If possible, have a helper hold the Chain Cover up and out of the way when installing the Tension Device.

While holding the tension device in one hand, pull the plunger away from the bead chain with the other hand. Lift the bead chain out of the bead locking groove and slide the tension device to the bottom of the chain loop.

Pull the tension device down until the bead chain is fully tensioned (plunger will be at



mark the screw locations for the bracket and attach it using the 1" screws, and then reattach the tension device to the bracket.

Operating the Shade

The limited cord exposure is a required safety measure. As a result, the cord must be pulled many times to lift or lower the shade. Be patient, pull the cord slowly and smoothly to prolong the life of the shade.

the top) and then move the tension device up approximately 1/8".

Mark the screw locations on the wall or window frame with a pencil.

Inside Mount: If mounting into wood, predrill screw holes and then install the tension device using the 1" Phillips head screws provided.

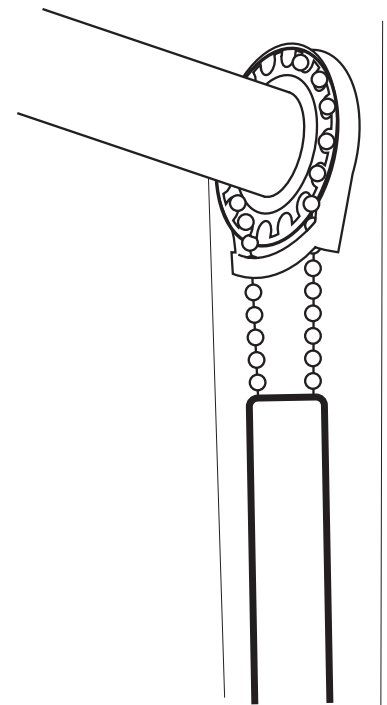
If not securing into wood, use appropriate anchors for the substrate and follow the anchor manufacturer's instructions.

Outside Mount: Move the tension Device to the bottom of the chain as noted above. Then press the tension device onto the mounting bracket posts. Carefully install the 3/8" Phillips head screws provided through the tension device into the mounting bracket using a Phillips head screwdriver (DO NOT OVER-TIGHTEN!). Pull the tension device down as noted above and pencil mark the position of the outside mount bracket. Now detach the tension device from the bracket, pencil

STRANGULATION HAZARD — Young children can be strangled by cords. Immediately remove this product if a cord longer than 22 cm or a loop exceeding 44 cm around becomes accessible.

RISQUE D'ÉTRANGLEMENT — Les enfants en bas âge peuvent s'étrangler avec des cordes. Enlevez immédiatement ce produit si une corde mesurant plus de 22 cm devient accessible ou si le contour d'une boucle de plus de 44 cm devient accessible.

INSTRUCTIONS D'INSTALLATION SUPPLÉMENTAIRES POUR LES CLIENTS AU CANADA

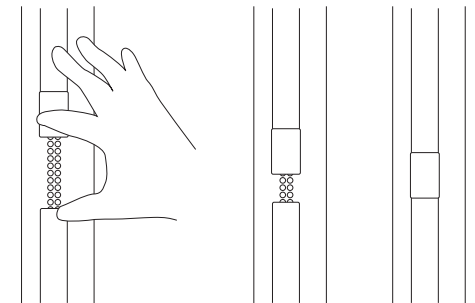


séparées lorsque le store est emballé pour l'expédition et doivent donc être assemblées lorsque le store est installé. Voir les instructions complètes ci-dessous :

étape 1 – Retirez délicatement le film protecteur à bulles des deux extrémités du store. Ne retirez pas le papier bulle au centre du store tant que le store n'est pas complètement installé. Déballez la chaîne à billes et le dispositif de tension en vous assurant de ne pas endommager la chaîne. Coupez et retirez l'attache zippée.

étape 2 – Fixez le store en suivant les instructions détaillées fournies avec le store. Laissez la chaîne, le couvercle de chaîne et le dispositif de tension pendre librement lors du montage du store.

étape 3 – Si le couvre-chaîne est composé de deux sections, fixez les sections comme illustré.



Installation de stores avec un couvre-chaîne

Votre nouveau store comprend un couvre-cordon/chaîne de levage dédié qui permet d'exposer à tout moment un maximum de 22 cm (8") de cordon de levage. La housse est pré-attachée au cordon de levage à chaîne perlée.

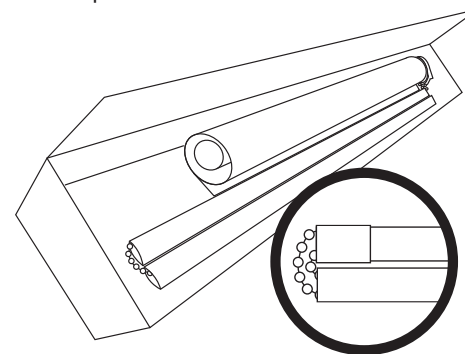
Faites glisser la section inférieure du couvercle de chaîne dans le connecteur pré-attaché à la section supérieure.

étape 4 – Fixez le dispositif de tension

IMPORTANT– Le dispositif de tension doit être fixé comme détaillé dans ces instructions pour que votre store fonctionne correctement.

Si possible, demandez à une personne de maintenir le couvercle de chaîne vers le haut et à l'écart lors de l'installation du dispositif de tension.

Tout en tenant le dispositif de tension d'une main, éloignez le piston de la chaîne



La couverture des stores plus grands sera composée de deux sections qui sont

INSTALLATION INSTRUCTIONS - EXTERIOR SOLAR SHADES



Tools Required:

Tape measure, pencil, drill, drill bits, screw driver, step stool or ladder.

Note: use a 5/64" drill bit to pre-drill the screw holes (for attachment to a wall stud or header board). Use Wall Anchors (not included) for hollow dry wall or plaster mounting.

Step 1. Mount the Brackets

attach the brackets to the window frame, molding or ceiling as shown. The brackets are "universal" – there are no "right" and "left" brackets. Mark the screw locations with a pencil – pre-drill the screw holes using a 5/64" drill bit.

Step 2. Install the Shade

Put the spring loaded pin into the round hole of the bracket, push the spring loaded tip into the bracket, and then insert the hook arms on the opposite side of the shade into the two hook arm receiver holes of the bracket. Once the two hook arms are through the holes, gently pull down until the two hook arms have locked securely to the bracket. For cord control shades, the bottom of the clutch should always point straight down.

Step 3. Install the Bracket Covers – For Outside Mount Shades Only!

Bracket covers slide onto the brackets as shown until they snap into position.

Step 4. Install the Chain Tension Device

The tension device must be installed to make sure the shade is fully operable.

Before doing anything, you must first slide the tension device to the bottom of the bead chain.

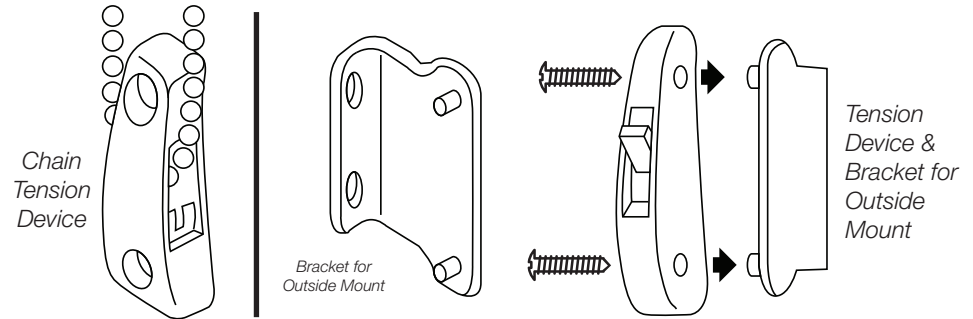
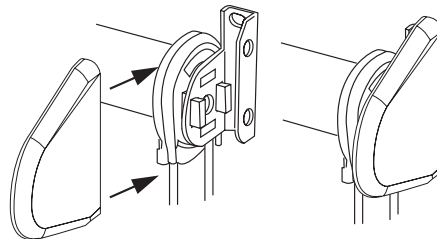
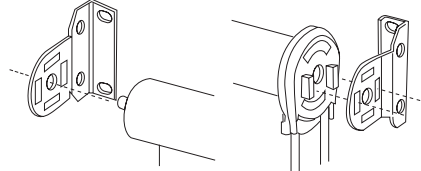
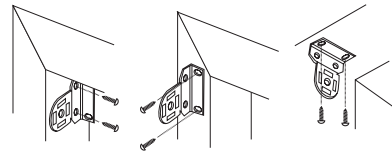
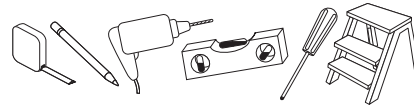
While holding the tension device in one hand, pull the plunger away from the bead chain with the other hand. Lift the bead chain out of the bead locking groove and slide the tension device to the bottom of the chain loop.

Pull the tension device down until the bead chain is fully tensioned (plunger will be at the top) and then move the tension device up approximately 1/8".

Mark the screw hole locations on the wall with a pencil.

Inside Mount: if mounting into wood, pre-drill screw holes and then install the tension device using the 1 1/4" Phillips head screws provided.

If not securing into wood, use appropriate anchors for the substrate and follow anchor manufacturer's instructions.



Outside Mount: Align the mounting bracket screw holes with the pencil marks.

If mounting into wood, pre-drill screw holes and then install the mounting bracket using the 1 1/4" Phillips head screws provided.

If not securing into wood, use appropriate anchors for the substrate and follow manufacturer's instructions.

Press the tension device onto the mounting bracket posts. Carefully attach the Tension Device to the bracket using the 3/8" Phillips head screws provided. **DO NOT OVER-TIGHTEN.**

Step 5. Operating the Shade

Pulling gently on the cord in one direction raises the shade; pulling it in the other direction lowers it. On shades where the fabric rolls against the window, the front cord lifts the shade. On shades where the fabric rolls toward the room, the rear cord lifts the shade.

Step 6. Hold Down Brackets for Outdoor Shades

The elastic straps on each side of the bottom rail loop onto the open 'C' section of the hold down brackets as illustrated. Attach the hold down brackets to a wall, post or other solid surface. Use 1" screws (or screws and anchors) to attach the brackets. Put tension on the straps by stretching them when positioning the brackets.

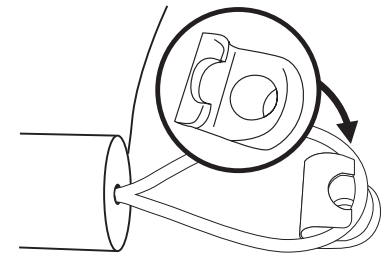
Cleaning the Shades

Dusting: Vacuum using the soft brush attachment. Washing: Use a cloth, sponge or soft brush and a mild detergent. Use warm or cold water, not hot water. Place toweling on the floor or window sill and wash the blind in sections.

REPLACEMENT PARTS

In the event that replacement parts are ever needed, you may call: 1-800-264-1190. Please be sure to provide the following information, if possible:

- The complete model or catalog number of your product
- A description of the product
- A description of the part needed



INSTALLATION INSTRUCTIONS - EXTERIOR SOLAR SHADES



LIMITED LIFETIME WARRANTY

The enclosed product is warranted to the original residential retail purchaser as long as the product remains in the original window.

Covered

Lifetime: Entire product against manufacturing defects (i.e. a flaw in the product design, materials, or workmanship that causes the product to no longer function).

3 Years: Cords, including internal cords such as those found in cordless blinds or shades.

5 Years: All fabric

Not Covered

1. Normal wear and Tear
2. Any product that fails due to:
 - Abuse
 - Exposure to salt air
 - Improper installation
 - Accident
 - Extraordinary use
 - Improper operation
 - Alterations
 - Improper cleaning
 - Misapplication
 - Damage from pests/insects/pets
 - Improper handling
 - Misuse
3. Natural Wood Products that have:
 - Loss of color intensity
 - Variations in color, grain or texture
 - Warping of wood slats in high humidity areas
4. Costs associated with:
 - Product removal
 - Brand label removal
 - Product reinstallation
 - Incidental or consequential damages
 - Transportation to and from the retailer
 - Product re-measure
 - Shipping

In the event there are multiple blinds/shades in the same room, only the defective blind/shade will be replaced

To Report Shipping Damage:

If damage occurred during shipping, call the place of purchase and report within 7 calendar days, or you may be denied credit for your damaged product.

To Obtain Service:

If you suspect this product has a manufacturing defect in materials or workmanship:

- Locate the sales receipt
- Call place of purchase

Any unauthorized returns will not be accepted.

Warranty Remedy:





This shall be your sole remedy under this limited warranty.

If this product is found to have a manufacturing defect in materials or workmanship, we will, at our discretion, do one of the following:

- Repair the product
- Replace the product
- Refund the cost of the product

Colors may vary from lot to lot and may not exactly match sample swatches or previous purchases. Discontinued items or color selections will be replaced with the closest equivalent current product.

Your rights under state law: This lifetime limited warranty gives you specific legal rights, and you may have other rights which vary from state to state. Some states do not allow limitations on how long a warranty lasts, so the above limitations may not apply to you. No agent, representative, dealer or unauthorized employee has the authority to increase or alter the obligation of this warranty. This lifetime limited warranty supersedes any previous versions.

 WARNING	 ADVERTENCIA
	
<p>Young children can STRANGLE in cord and bead chain loops. They can also wrap cords around their necks and STRANGLE.</p> <ul style="list-style-type: none"> • Always keep cords and bead chains out of children's reach. • Move cribs, playpens, and other furniture away from cords and bead chains. Children can climb furniture to get to cords. • Attach tension device to wall or floor. This can prevent children from pulling cords and bead chains around their necks. Fasteners provided with the tension device may not be appropriate for all mounting surfaces. Use appropriate anchors for the mounting surface conditions. 	<p>Los niños pequeños corren el riesgo de ESTRANGULARSE en los lazos de las cuerdas y cadenas. También se pueden envolver las cuerdas alrededor del cuello y ESTRANGULARSE.</p> <ul style="list-style-type: none"> • Mantenga siempre las cuerdas y cadenas fuera del alcance de los niños. • Mueva las cunas, los corrales y otros muebles lejos de las cuerdas y cadenas. Los niños pueden subirse a los muebles para llegar a las cuerdas. • Coloque el dispositivo tensor en la pared o en el piso. Ello puede evitar que los niños estiren las cuerdas y cadenas, colocándoselas alrededor del cuello. Los taquetes proporcionados con el dispositivo tensor pueden ser inapropiados para todas las superficies de montaje. Utilice anclas apropiados para las condiciones de la superficie de montaje.