
ONE YEAR LIMITED WARRANTY:

What is covered by this warranty and for how long:

All products are warranted against defects in materials and workmanship for a period of one (1) year from the date of purchase, provided that the product is installed according to the product instructions. We reserve the right to determine if your piece warrants repair or partial replacement of any parts. In the unlikely event that the entire piece is defective, we will replace this window covering with a new window covering of equal or superior value; this shall be your sole remedy under this warranty.

Who and what is covered by this warranty:

The original customer in a residential application within the United States is covered under this warranty; proof of purchase is required. Removal, installation or re-installation of any window covering is not covered under this warranty. This warranty does not cover damage or defects caused by or resulting from improper maintenance, neglect or improper use, abuse, misuse, neglect, accidents, acts of god, alteration, commercial use, installation, removal or re-installation or exposure to excessive moisture.

Your rights under State Law:

This warranty gives you the specific legal rights. You may also have other rights, which may vary from state to state. We will not be liable for **INCIDENTAL OR CONSEQUENTIAL DAMAGES** or for any other direct or indirect damage, loss, cost, expense or fee. Some states do not allow the exclusion or limitation of incidental or consequential damages, so the above limitation or exclusion may not apply to you

THIS WARRANTY IS EXCLUSIVE AND IN LIEU OF ALL OTHER OBLIGATIONS, LIABILITIES, OR WARRANTIES.

WARNING

STRANGULATION HAZARD — Young children can be strangled by cords. Immediately remove this product if a cord longer than 22 cm or a loop exceeding 44 cm around becomes accessible.

MISE EN GARDE

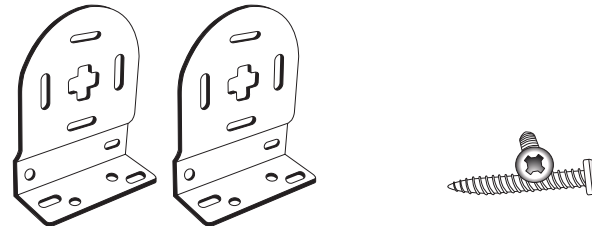
RISQUE D'ÉTRANGLEMENT — Les enfants en bas âge peuvent s'étrangler avec des cordes. Enlevez immédiatement ce produit si une corde mesurant plus de 22 cm devient accessible ou si le contour d'une boucle de plus de 44 cm devient accessible.

ROLLER SHADE INSTALLATION INSTRUCTIONS

CHAIN AND CLUTCH ROLLER SHADE

Thank you for purchasing your custom roller shades. With proper installation your shades should look beautiful and provide years of service. Please check all parts and read these instructions, before starting installation.

MOUNTING HARDWARE KIT INCLUDES:



Brackets

Mounting Screws

All bead chain loops should be secured with chain shield to prevent the risk of strangulation. Keep chain loops away from children and pets.

TOOLS THAT MAY BE REQUIRED:

Pencil, Tape Measure, Drill, Screw Driver, Level and Step Stool

INSTALLING YOUR SHADE:

NOTE: For wallboard or plaster, use anchors designed for hollow walls (not included). For concrete, stone and brick, use a masonry drill bit and anchors designed for masonry (not included).

STEP 1: INSTALL BRACKETS

1. Identify the clutch end and idle end brackets.
The idle end bracket has one hole in the center, for the spring-loaded pin in the idle end. The clutch end bracket has slots that will accept the lugs on the clutch. The brackets can be installed to the wall (face mount) or to the ceiling or underside of the window recess (top mount). [Figure 1 & 2]
2. Mark the desired positions of the brackets with a pencil. Make sure the brackets are the correct distance apart. Mark the locations of the bracket holes and drill pilot holes for the screws.

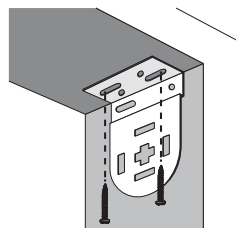


Figure 1 – top mount

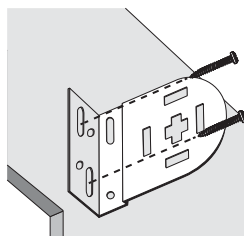
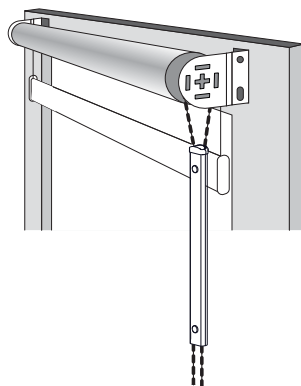


Figure 2 – face mount

Make sure that the brackets are in line with each other and level — if they are not level the roller shade may not fit correctly or it may not roll up straight. This can cause the fabric to rub against the bracket on either side, which will cause fraying of the fabric.

STEP 2: INSTALL SHADE

Hold the shade up and insert the clutch into the clutch end brackets, making sure the lugs fit into the slots in the bracket. Then push in the spring-loaded pin on the idle end of the shade and move the shade up so that the pin engages with the hole in the idle end bracket. The pin should snap into the bracket and the shade will now be securely installed. [Figure 3]



NOTE: The chain shield is assembled to your shade at the factory, the shade ready to use once finish installing.

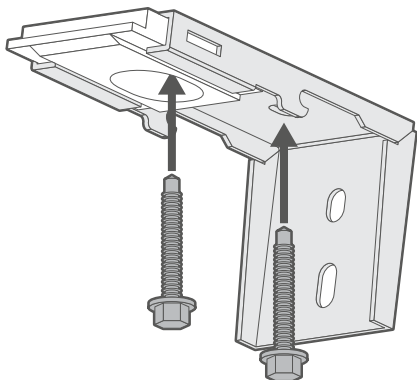
OPERATING YOUR SHADE

The shade can be raised and lowered by pulling on the front or the back of exposed chain

Fitting the brackets

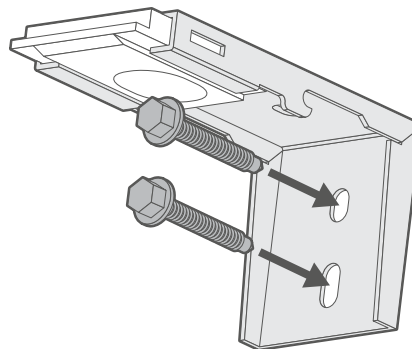
1

The brackets offer 2 methods of installation:



Top-Fixing

Where the brackets are screwed into the lintel (or 'ceiling' of the recess)



Face-Fixing

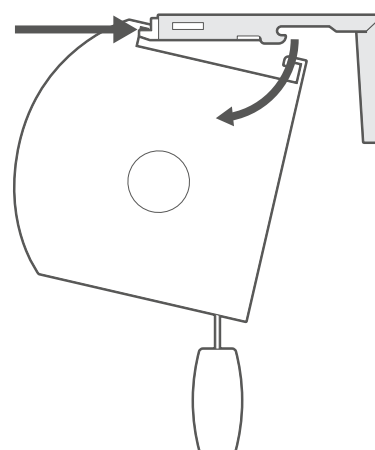
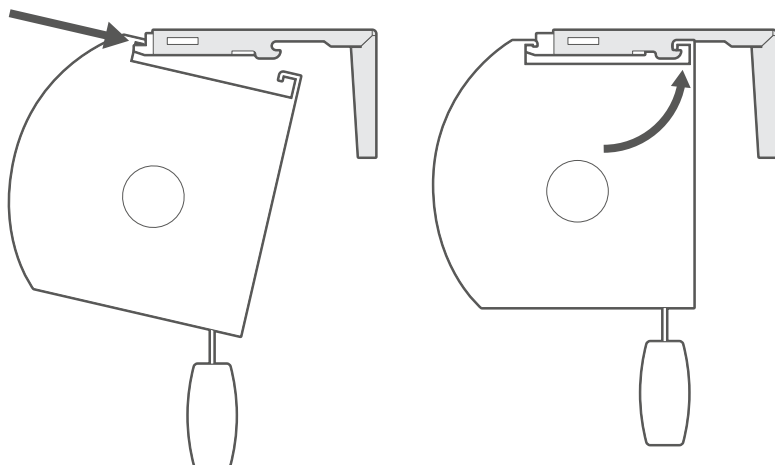
Where the brackets are screwed onto a facing surface (a wall or window frame)

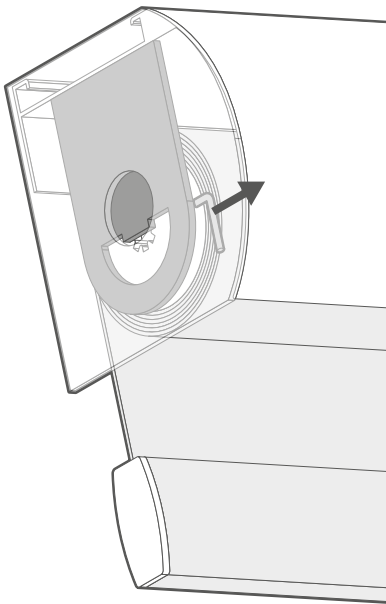
Fitting the blind

2

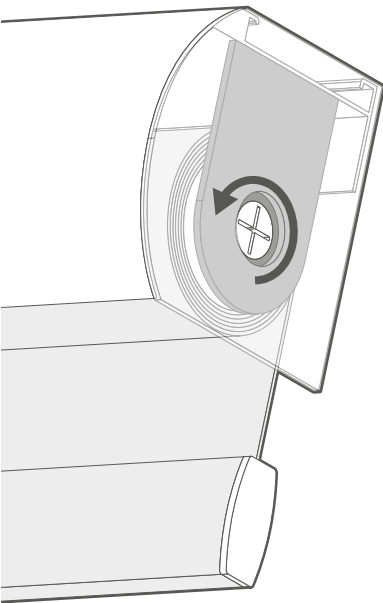
Holding the shade at an angle, hook the lip at the front of the headrail over the front hook of the bracket. Then, pushing back against the front of the headrail, raise the back of the headrail and push upwards until it snaps into place.

To remove the shade from the brackets, push back against the front of the headrail and twist the back of the headrail downwards until it disengages from the brackets.



Operation and spring tension**3**

The shade's spring mechanism is locked with a locking pin to prevent it unrolling during transit. Before you operate the shade for the first time, locate the locking pin and simply pull it out to remove it.



If you find that over time the spring mechanism is weakening (in that the shade does not easily retract when you raise it) then the tension can be increased very easily. Take the shade down from the brackets and locate the tension screw at one end. Using a screwdriver, turn the screw in the direction of the front of the shade. This will increase the tension in the spring and allow the shade to retract more easily. Make small adjustments (around 2 turns at a time) to avoid over-tensioning the spring mechanism.

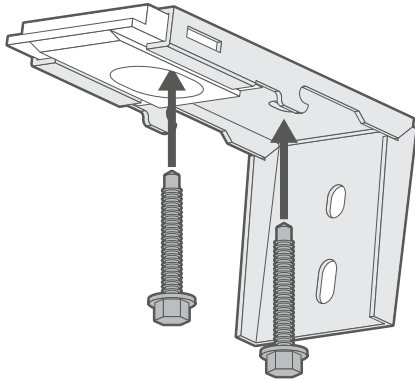
WARNING

STRANGULATION HAZARD — Young children can be strangled by cords. Immediately remove this product if a cord longer than 22 cm or a loop exceeding 44 cm around becomes accessible.

Fitting the brackets

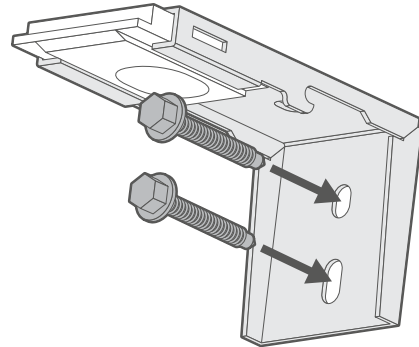
1

The brackets offer 2 methods of installation:



Top-Fixing

Where the brackets are screwed into the lintel (or 'ceiling' of the recess)



Face-Fixing

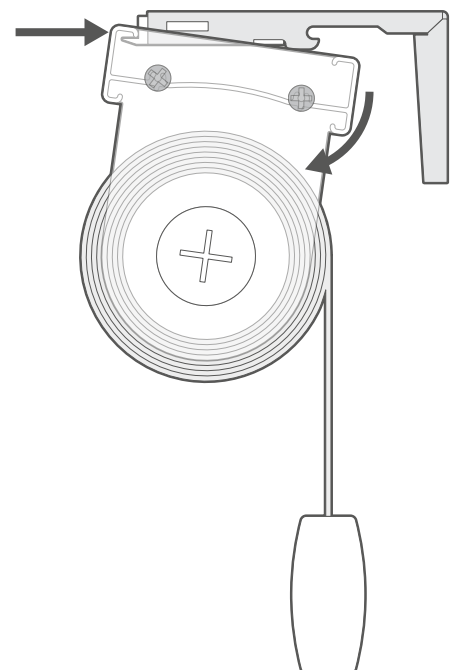
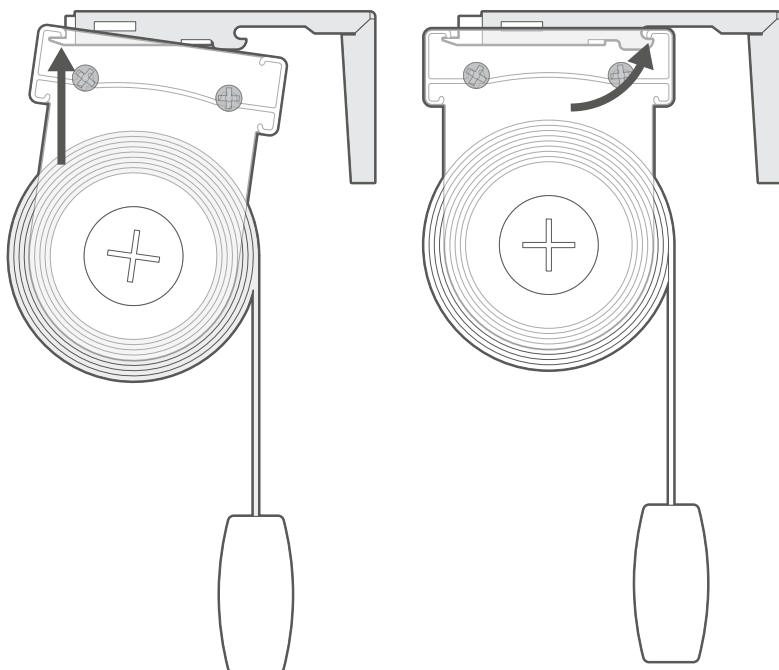
Where the brackets are screwed onto a facing surface (a wall or window frame)

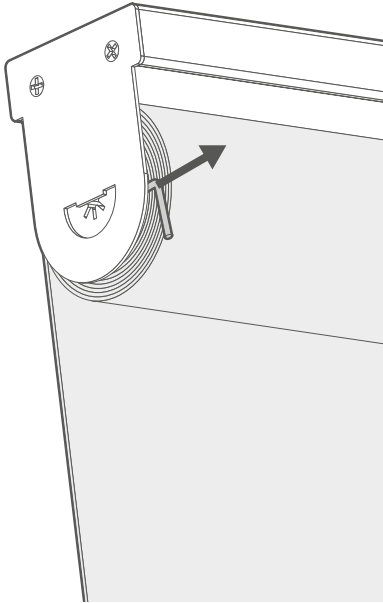
Fitting the blind

2

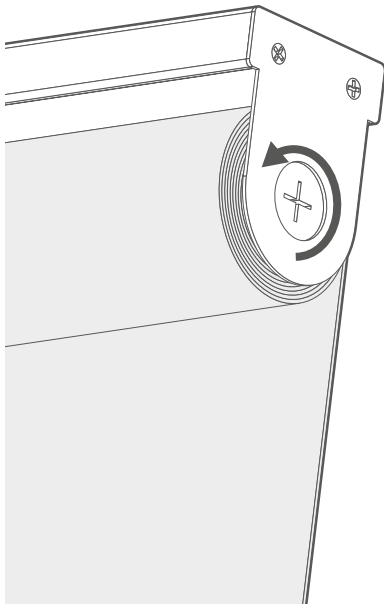
Holding the shade at an angle, hook the lip at the front of the headrail over the front hook of the bracket. Then, pushing back against the front of the headrail, raise the back of the headrail and push upwards until it snaps into place.

To remove the shade from the brackets, push back against the front of the headrail and twist the back of the headrail downwards until it disengages from the brackets.



Operation and spring tension**3**

The shade's spring mechanism is locked with a locking pin to prevent it unrolling during transit. Before you operate the shade for the first time, locate the locking pin and simply pull it out to remove it.



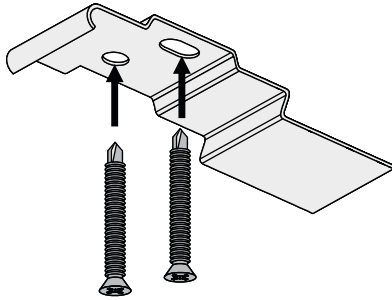
If you find that over time the spring mechanism is weakening (in that the shade does not easily retract when you raise it) then the tension can be increased very easily. Take the shade down from the brackets and locate the tension screw at one end. Using a screwdriver, turn the screw in the direction of the front of the blind. This will increase the tension in the spring and allow the blind to retract more easily. Make small adjustments (around 2 turns at a time) to avoid over-tensioning the spring mechanism.

WARNING

STRANGULATION HAZARD — Young children can be strangled by cords. Immediately remove this product if a cord longer than 22 cm or a loop exceeding 44 cm around becomes accessible.

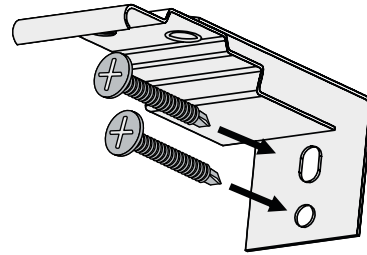
Fitting the brackets

The brackets offer two methods of installation:



Top-Fixing

Use the front two holes in the top of the bracket to fix to the lintel (the 'ceiling' of the recess).



Face-Fixing

Use two screws through the back plate to mount onto a facing surface (a wall or window frame)

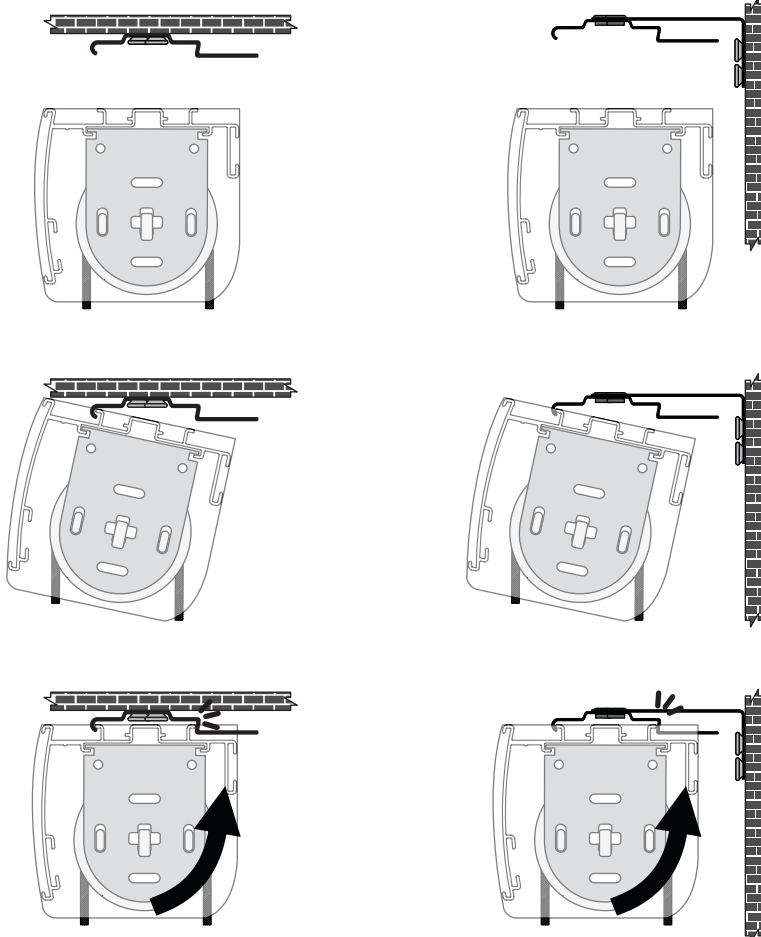


Note that the position of the outermost brackets should be at least 5cm away from the ends of the rail, with any other brackets evenly distributed across the width.

Fitting the shade

Top-Fixing

Face-Fixing



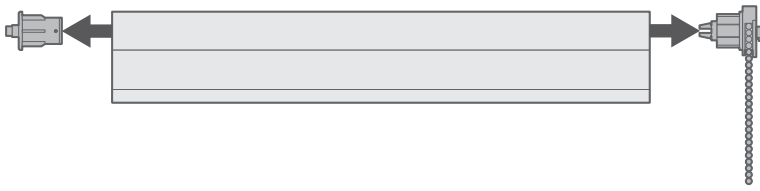
Holding the rail at an angle, situate the T-shaped lip on the top of the cassette into the front lip of the bracket.

Twist the back of the cassette upwards until it snaps into place against the back lip of the bracket.

WARNING

STRANGULATION HAZARD - Young children can be strangled by cords. Immediately remove this product if a cord longer than 22cm or a loop exceeding 44cm around becomes accessible.

Before you begin

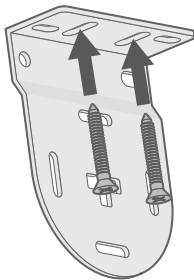


We will have positioned the controls where you requested during the ordering process. However if you decide to swap the side that they are on, direction of the roll or need to trim the blind further, the controls can be removed by simply unplugging them from the tube. This should be done prior to fixing the brackets.

Fitting the brackets

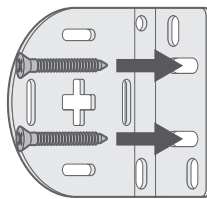
1

The brackets offer three methods of installation:



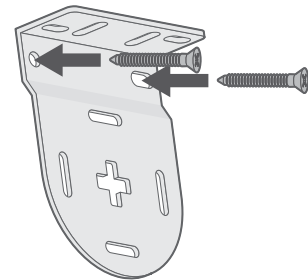
Top-Fixing

Where the brackets are screwed into the lintel (or 'ceiling' of the recess)



Face-Fixing

Where the brackets are screwed onto a facing surface (a wall or window frame)

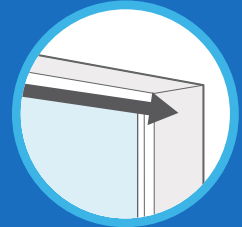


Side-Fixing

Where the brackets are screwed into the side walls of the recess

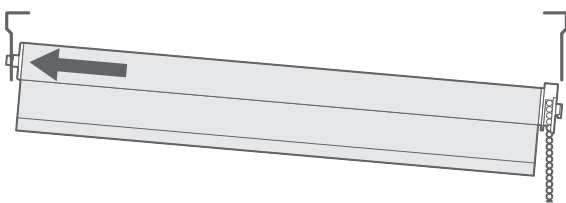
Top Tip

Top-fixing or face-fixing are recommended for most installations, whereas side-fixing is only recommended if the width you gave us was taken right at the top of the recess.

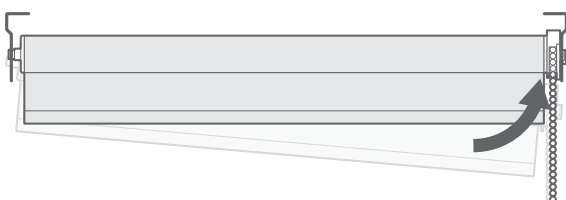


Fitting the blind

2



Locate the depression end (the opposite end to the controls) of the blind into the cross-shaped hole in the corresponding bracket.



Lift the control end of the blind and slot the rectangular 'lugs' into the corresponding slots on the bracket.

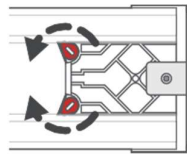
WARNING

STRANGULATION HAZARD — Young children can be strangled by cords. Immediately remove this product if a cord longer than 22 cm or a loop exceeding 44 cm around becomes accessible.

Installing the no-tools headrail:

Hold the no-tools headrail up against the top of the recess, then push the lever firmly upwards until the rail snaps into place. If the rail is not quite tight enough then this can be easily adjusted:

At the end of the rail opposite to the lever there is an adjustment block that allows you to fine-tune the fitting of the rail. Use a flat-head screwdriver to twist the small red plugs in toward the center of the rail. Slide the block out of the rail by a few millimeters, then twist the red plugs back into their original position to fix the block in place. **Make small adjustments only**, repeating as necessary for a tight fit.



WARNING

STRANGULATION HAZARD — Young children can be strangled by cords. Immediately remove this product if a cord longer than 22 cm or a loop exceeding 44 cm around becomes accessible.

BOFU ERB25B Rechargeable Battery Motor Instruction

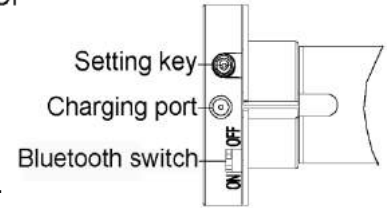
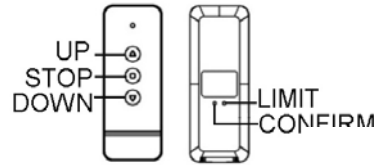
VERSION: 042.ERB25B7D01

Technical data

Motor Load Torque: 0.7Nm/34rpm 1.1Nm/28rpm
 Battery Specification: Li-ion Batter, 2000mAh, 7.4V.

Notify:

- The side of motor head with SETTING button should face to you (toward outside)
- Motor antenna should be as straight as possible in the position far away from metal objects. Directly contact metal objects is prohibited; otherwise, the receivindistance will be influenced seriously.
- Please charge the battery when the motor alarm or work faltering



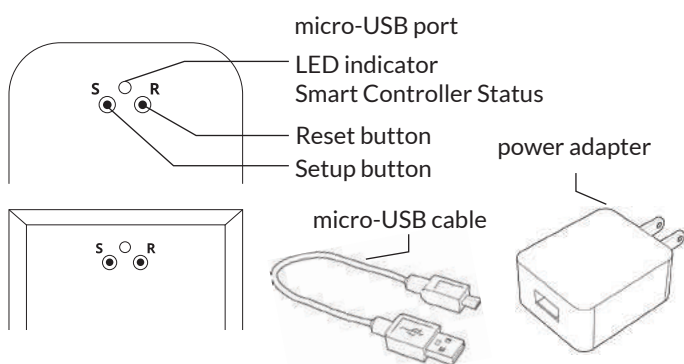
Operation Item	Item	Operation	Result	Illustration
Program the first transmitter with motor	● Please skip the step and go to next If manufacturer has programmed a transmitter with motor before delivery			
	1	Keep pressing the SETTING button battery pack for more than 3 seconds	Release this button when motor jogs	
	2	Press the CONFIRM button on transmitter	Motor jogs, the program has been done.	
Change motor rotate direction	1	Press UP button	If motor goes up, please do nothing, If motor goes down, please do next step	
	2	Press and hold LIMIT button then press STOP button	Release both buttons when motor jogs	
	3	Press UP button	Motor goes up, the motor rotation direction has been revised	
Setup bottom limit	The whole limit setting must be finished at one times			
	1	Keep pressing LIMIT button on any programmed transmitter	Release this button when motor jogs	
	2	Press DOWN button on transmitter	Motor runs down	
	3	Press STOP button When motor running close to the end-point of bottom limit	Motor stops	
	4	Press either UP or DOWN button	Motor runs step by step to adjust bottom limit accurately	
	5	Press CONFIRM button on transmitter	Motor jogs, down way setting has been done.	

Operation	Item	Operation	Result	Illustration
Setup upper limit	6	Press UP button on transmitter	Motor runs up	
	7	Press STOP button When motor running close to the end-point of upper limit	Motor stops	
	8	Press either UP or DOWN button	Motor runs step by step to adjust lower limit accurately	
	9	Press CONFIRM button on transmitter	Motor jogs, the setting has completed.	
Set intermediate position	This step only can be done after setting motor limit			
	1	Press DOWN button	Stop motor at the position which you need	
	2	Press and hold LIMIT button then press UP button	Release both buttons when motor jogs, now the setting has completed	
	3	Press STOP button when motor stop	Motor will run to the setting position and stops	
Program transmitter using a programmed transmitter	● Please skip the step and go to next if the subsidiary transmitter is not needed			
	1	Keep pressing LIMIT button on the first programmed transmitter A, then press CONFIRM button	Please release both buttons once motor jogs	
2	Press CONFIRM button on transmitter B	Motor jogs again, now transmitter B has programmed with motor		
Delete all other transmitters	1	Keep pressing LIMIT button on transmitter A, then press DOWN button	Please release both buttons once motor jogs, now all transmitters have been deleted except A	
Delete itself from motor	2	Press CONFIRM button 3 times	This transmitter has been deleted from the motor	
Bluetooth operation	1	Download APP use key words BFSMARTBLE at Apple store or Google Play, for regular user please log in an available account and jump below steps, for a new user please register a new account		
	2	Switch Bluetooth switch on motor head 3-5 times until motor beeps, leave switch at ON position, please follow all instruction at APP interfaces to continue program or operations		
Charging	The motor works with Li-ion battery, please charging it when the motor alarms or work faltering. Please charge the motor using professional charger CH-8.4V/1A Charging time: Charger 4 hours or indicator change to green 1 hours, please take the charger away when charging full.			
FAQ	If nothing works, please check: <ul style="list-style-type: none"> ● please charging the motor battery firstly ● If the motor runs to a direction continually, the user didn't setup limit successfully, please re-set limit. 			

SETUP CODE CODE DE CONFIGURATION

SBCAN

Getting to know your Smart Controller



Smart Controller Status:
Flashing blue - Hotspot available
Flashing green - Connecting to the WiFi network
Pulsing cyan/blue-green - Connected to the Internet

Getting Started

- 1 Download the Neo Smart Blinds app**


Download the app to your phone or tablet by searching **Neo Smart Blinds** on Google Play or the App Store.
Note: Do not install Neo Smart Blinds Blue
- 2 Plug in your Smart Controller in reach of your home WiFi**

Choose a place not too far from your home router or a place you know has good WiFi signal strength. You will be able to change its location after, if necessary.
- 3 Create an account and choose the setup code written on the cover**

After opening the app, tap on Create one to create a new account. Enter a valid email address and choose a password, select the region time zone from the place where the Smart Controller will be located. Choose the setup code written in the cover and tap on Register.
- 4 Follow the app step by step to add the Smart Controller**

Have in hand the home WiFi password. It will be necessary to connect the Smart Controller to the Internet.
Note: Some Android users won't be connected quickly to the hotspot. If it is the case, please wait about 10 seconds before returning to the app. During this time, your device may notify you that the hotspot does not have Internet access, and will prompt you whether you want to remain connected. You need to select the option that will allow you to keep connected before returning to the app.

System requirements

- A strong WiFi signal (3 bars or more) in the location where you will setup your Smart Controller.
- The Smart Controller only supports 2.4GHz WiFi (IEEE 802.11b/g/n), not 5GHz. WiFi security needs to be set to WPA-PSK or WPA2-PSK.
- A smartphone or tablet running Android 5.0 (Lollipop) or higher, or iOS 8 or higher is needed.

Troubleshooting

The home WiFi doesn't appear in the step 4

Try rescanning, if the problem persists, you will need to reposition the Smart Controller to a place with stronger WiFi signal. In this case, exit the process (tap on the menu, then tap Your Rooms), replace the Smart Controller and start over.

The Smart Controller LED in the bottom is not blinking blue

The process fails in the last step

Press the S button for 10 seconds, then press the R button once and start over. Pay special attention when typing the WiFi password.

Need more help?

Visit neosmartblinds.com/smartcontroller for detailed instructions about how to use the app and troubleshooting.

Integrations

Smart home devices

Visit neosmartblinds.com/smartcontroller-integrations for detailed information about connecting to Amazon Alexa, Google Home and other systems.

Control4

Please send an email to tech@neosmartblinds.com with your name, your email and your company's name. This information is necessary to always send to you any further driver update.

Legal Information

FCC

This equipment has been tested and found to comply with the limits for a Class B digital device, pursuant to Part 15 of the FCC Rules. These limits are designed to provide reasonable protection against harmful interference in a residential installation. This equipment generates uses and can radiate radio frequency energy and, if not installed and used in accordance with the instructions, may cause harmful interference to radio communications. However, there is no guarantee that interference will not occur in a particular installation. If this equipment does cause harmful interference to radio or television reception, which can be determined by turning the equipment off and on, the user is encouraged to try to correct the interference by one of the following measures:

- Reorient or relocate the receiving antenna.
- Increase the separation between the equipment and receiver.
- Connect the equipment into an outlet on a circuit different from that to which the receiver is connected.
- Consult the dealer or an experienced radio/TV technician for help

Contains transmitter module FCC ID: COFWNMNB11

To comply with FCC/IC RF exposure limits for general population/uncontrolled exposure, the antenna(s) used for this transmitter must be installed to provide a separation distance of at least 20 cm from all persons and must not be co-located or operating in conjunction with any other antenna or transmitter.

IC

This device complies with Industry Canada's licence-exempt RSSs. Operation is subject to the following two conditions:

- This device may not cause interference; and
- This device must accept any interference, including interference that may cause undesired operation of the device.

This device meets the exemption from the routine evaluation limits in section 2.5 of RSS102 and users can obtain Canadian information on RF exposure and compliance.

Contains transmitter module IC: 10293A-WMNB11

This End equipment should be installed and operated with a minimum distance of 20 centimeters between the radiator and your body.

