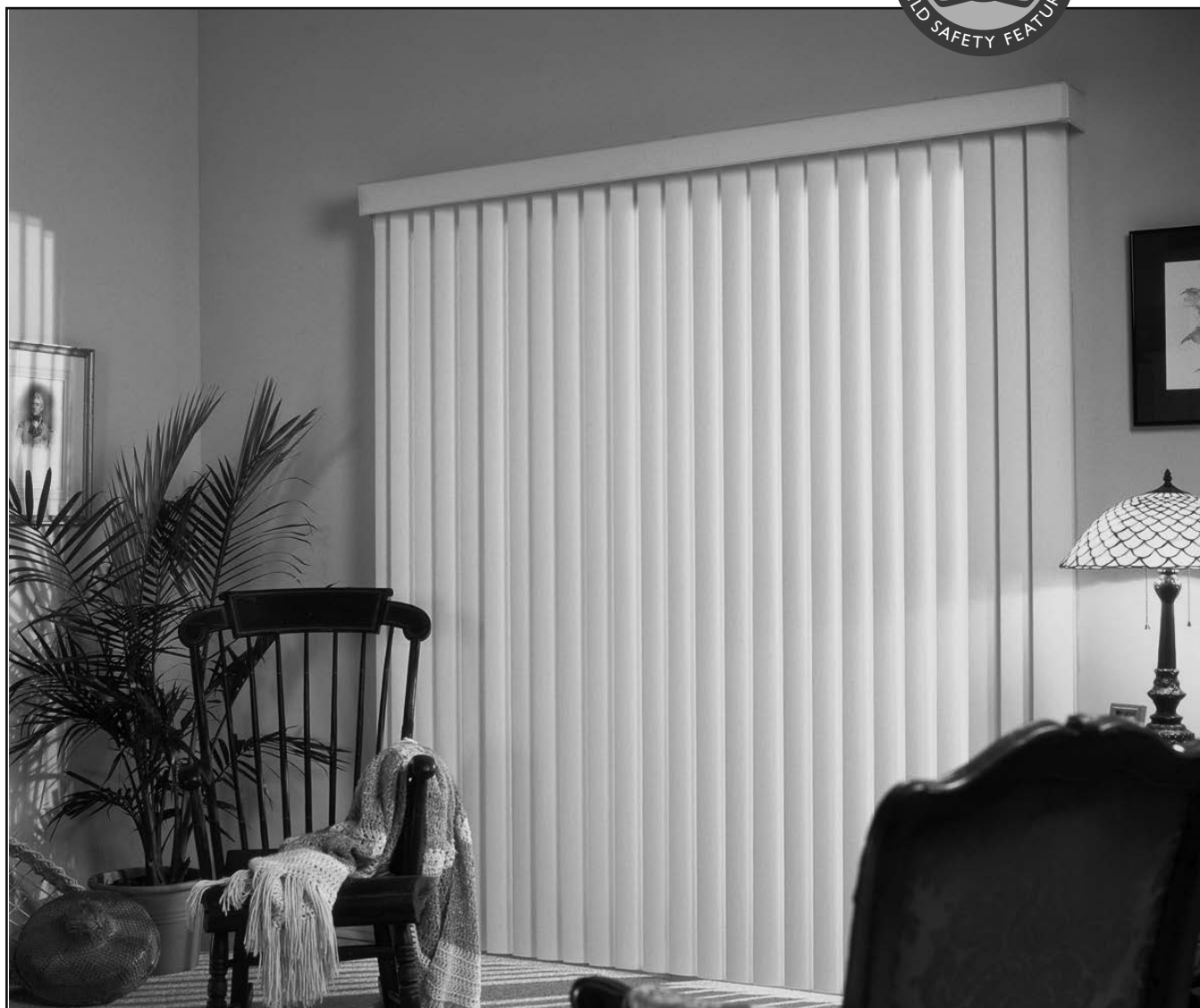


PVC VERTICAL BLINDS INSTALLATION INSTRUCTIONS

CHILD SAFE



⚠ WARNING STRANGULATION HAZARD

Young children can be strangled by cords. Immediately remove this product if a cord longer than 22 cm or a loop exceeding 44 cm around becomes accessible.

⚠ MISE EN GARDE RISQUE D'ÉTRANGLEMENT

Les enfants en bas âge peuvent s'étrangler avec des cordes. Enlevez immédiatement ce produit si une corde mesurant plus de 22 cm devient accessible ou si le contour d'une boucle de plus de 44 cm devient accessible.

Getting Started

A few simple tools are required:

- Measuring tape
- Power drill, drill bits (1/16") and/or screw drivers
- Phillips driver bit
- Pencil
- Level



Additional fasteners other than those sent with your shade may be required depending on the mounting surface. Wallboard and plaster require the use of anchors such as expansion toggle bolts.

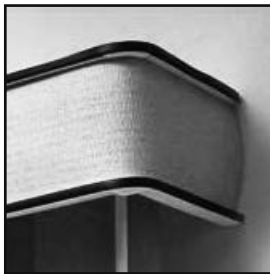
Brick, tile or stone need special plugs and drill bits.

Remember to always pre-drill holes in wood to avoid splitting.

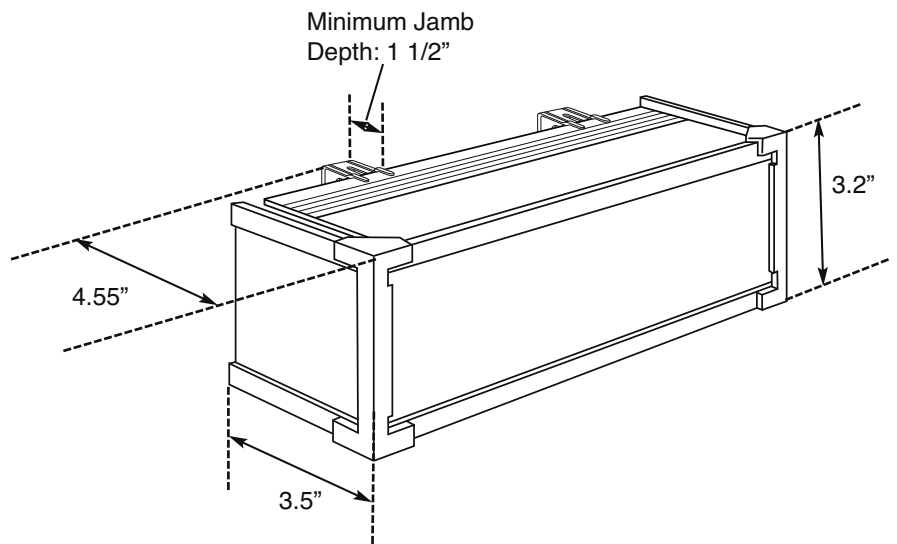
Make sure mounting surface is level



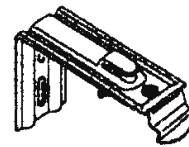
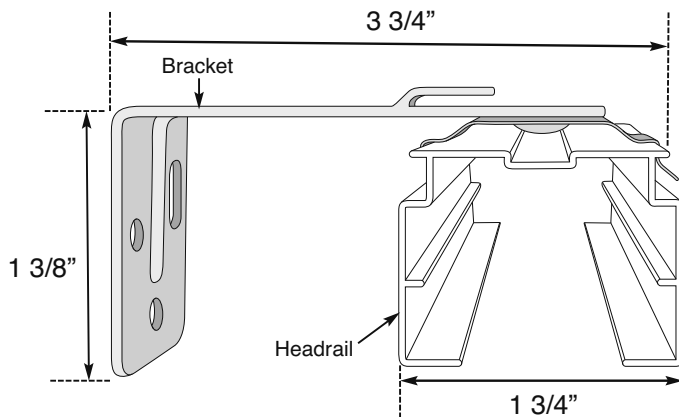
Ultra Valance



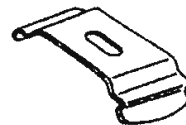
Executive Valance



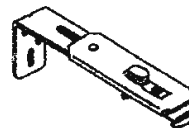
Vertical Blinds Brackets



Wall Bracket



Ceiling Bracket

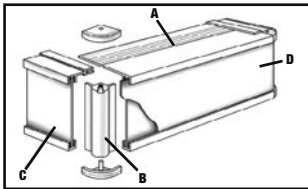


Extension Bracket

PVC VERTICAL BLINDS INSTALLATION INSTRUCTIONS

1. Assembling the Valance

Assemble the valance before installing the blind, especially for an inside mount. If you did not order a valance, proceed to "Installing the Vertical Blind".



- A. Valance
- B. Valance corner with plastic round caps (if returns were requested)
- C. Valance returns (if returns were requested)
- D. Insert the Louver (and if you have Executive trim also insert the color trim)



Ultra Valance
Slide in valance insertion



Executive Valance
Slide the valance insertion for both the main section and the lower section (Trim color)

For insertion, trim off the excess with a utility knife by scoring the back of the PVC insert and snap it off. For the trim use scissors to cut off any excess.

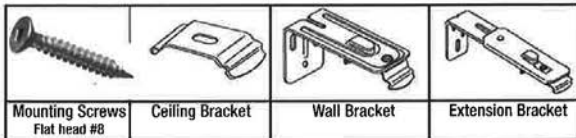
2. Installing the Vertical Blind

For most blinds, 2 people are required for the installation. If you ordered a valance for your blind, assemble the valance before installing the blind.

Mounting Options

Inside mount: Blind is mounted either into the ceiling or inside the window frame into the top of the frame.

Outside mount: Blind is mounted either on or outside the window frame.



Type of brackets provided depends on the type of installation required.

The number of brackets is as follows:

Width of Track (inches)	Number of brackets provided
0-48"	2 brackets
49"-96"	3 brackets
97" - 120"	4 brackets
121"-over	5 brackets

When installing brackets please ensure equal spacing between each.

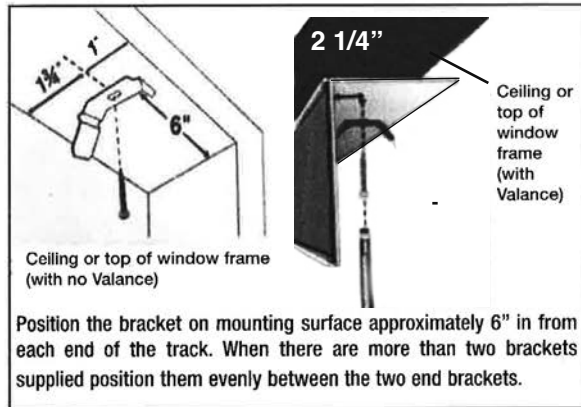
Note: Mounting screws provided are suitable for most mounting surfaces.

For wallboard or plaster: Use hollow wall anchors for added support.

For concrete, stone, brick or tile: Use an appropriate drill bit and appropriate anchors before fastening the screws.
For metal surfaces: Pre-drill holes before fastening the screws.

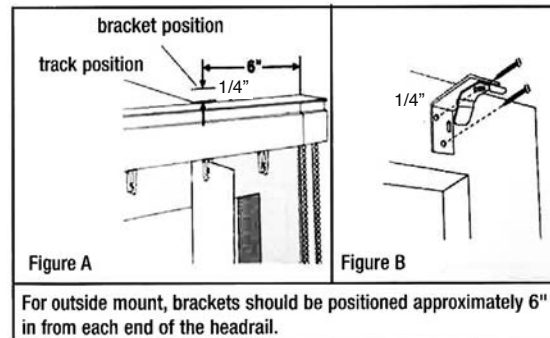
Inside mount

Installation of Valance for inside mount is described in this section.



Outside Mount

Valance is mounted after the installation of the track and vanes.

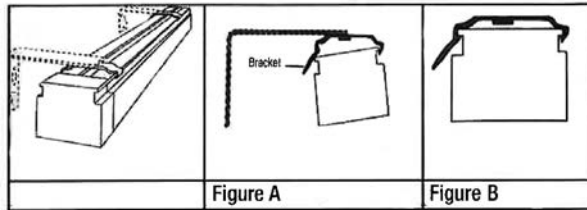


For outside mount, brackets should be positioned approximately 6" in from each end of the headrail.

1. First, mark the position of the track. Clip one vane to a carrier and place track and vane over area to be covered (Figure A). Make sure to leave approximately 1/2" clearance at the bottom of the vanes.
2. Second, mark the position of the brackets. Make a mark 1/4" above the first mark (allowing room for the bracket head). We recommend you use a level for this step.
3. Mount the brackets with screws provided (Figure B).
4. When more than two brackets are supplied, position the additional brackets evenly between the two end brackets.

Fitting the track into brackets

Same procedure for both wall/ceiling/extension brackets.



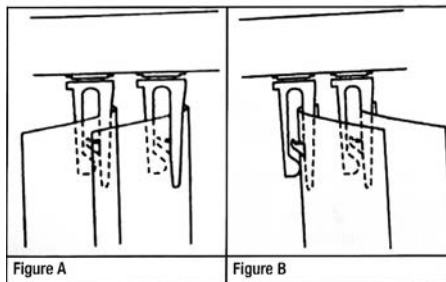
1. Insert the front part of the bracket inside the top front groove of the track Figure A.
2. Push the back up so it snaps into the bracket Figure B.

Note: The track is universal and can be installed with the chain and cord on either left or right side.

Installing the Vanes

Note: Before installing the vanes into the carriers, it is important to make sure the carriers are properly aligned.

1. Pull the chain until the carriers stop rotating. The carriers should turn together and face the same direction.
2. If some carriers seem to be misaligned, continue pulling the chain until you hear the cranking sound of the clutch operating. Keep pulling or turning until the misaligned carriers are automatically adjusted.
3. If a carrier is still facing the wrong direction after following 1 and 2, manually (or with pliers if necessary) rotate it back.
4. Installing the vanes requires inserting the vanes into the carriers. Make sure all the vanes are facing the same direction (Figure A or B).



Note: vanes could be inserted as illustrated in Figure A or B

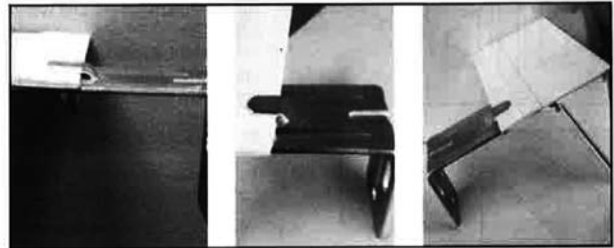
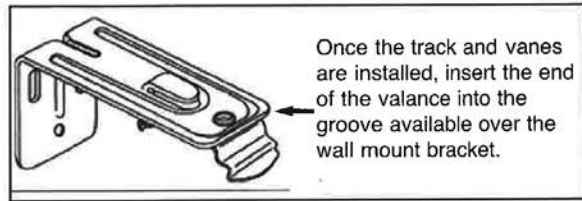
Make your choice according to your need for light and privacy.

Installing the valance

If a valance was not ordered please proceed to the next section *Installing the Safety Device*.

Installing a valance for inside mount is described previously in the section inside mount.

Valance installation for an outside mount.



1. Insert the Wand Hook through the hole at the end of the Tilt Shaft.



2. Slip the Wand Sleeve over the shaft of the Tilter completely above the bottom end of the Wand Hook.



3. Attach Wand Shaft Hook by inserting the free end of the Hook through the hole provided in the notched portion of the Shaft. Slide Wand Sleeve back down shaft of the Tilter and over the assembled Hook and Wand Shaft.

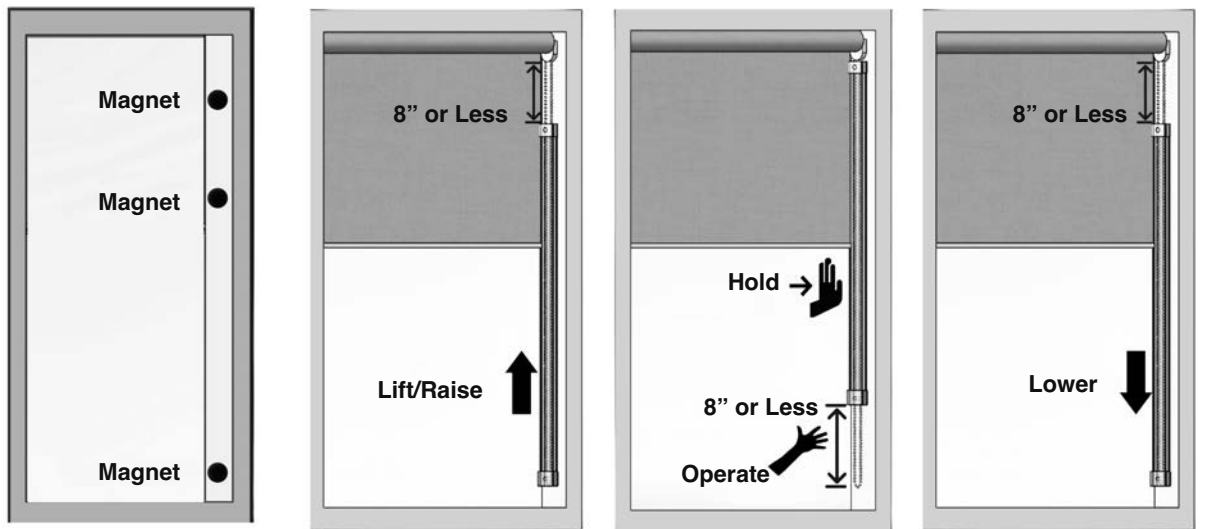
Chain Cover/Shroud

Installation & Operation Instructions

Chain Cover/Shroud - Summary

- Chain Cover/Shroud is placed over the control chain.
- Chain Cover/Shroud is kept in a closed position by gravity.
- Chain Cover/Shroud is manually lifted/raised by hand to expose a small amount of control chain.
- Chain Cover/Shroud must continue to be held in a raised/opened position by hand.
- Small amount of exposed control chain can be used manually to operate (raise/lower) products as required.
- Once released, gravity will automatically close Chain Cover/Shroud once again.

Easy to Install and Operate



1. Optional magnetic tabs/catches/plates included with product can be attached to the window, wall or opening. Suggested but not required.

2. Lift up Chain Cover/Shroud to access control chain and operate.

3. Pull Chain up or down as desired to operate shade.

4. Release once done and Chain Cover/Shroud will return to child-safety position.

NOTE:

All products, operating, or lift systems must comply with following the warning stated below. Chain Cover/Shroud must be used for all applications. A product cannot be considered properly/safely installed unless this installation/operating rule is strictly followed. Please follow the instructions for both "Inside" and "Outside" mounted products. Extension brackets are suggested for outside mounted products.

WARNING STRANGULATION HAZARD

Young children can be strangled by cords. Immediately remove this product if a cord longer than 22 cm or a loop exceeding 44 cm around becomes accessible.

MISE EN GARDE RISQUE D'ÉTRANGLEMENT

Les enfants en bas âge peuvent s'étrangler avec des cordes. Enlevez immédiatement ce produit si une corde mesurant plus de 22 cm devient accessible ou si le contour d'une boucle de plus de 44 cm devient accessible.